

# Round shape LED Power Supply

1 of 2

## Features:

- Protections: Short circuit/Overload/Over temperature
- Cooling by free air convection
- 100% full load burn-in test
- Suitable for LED lighting
- Products through CE, RoHS Certification

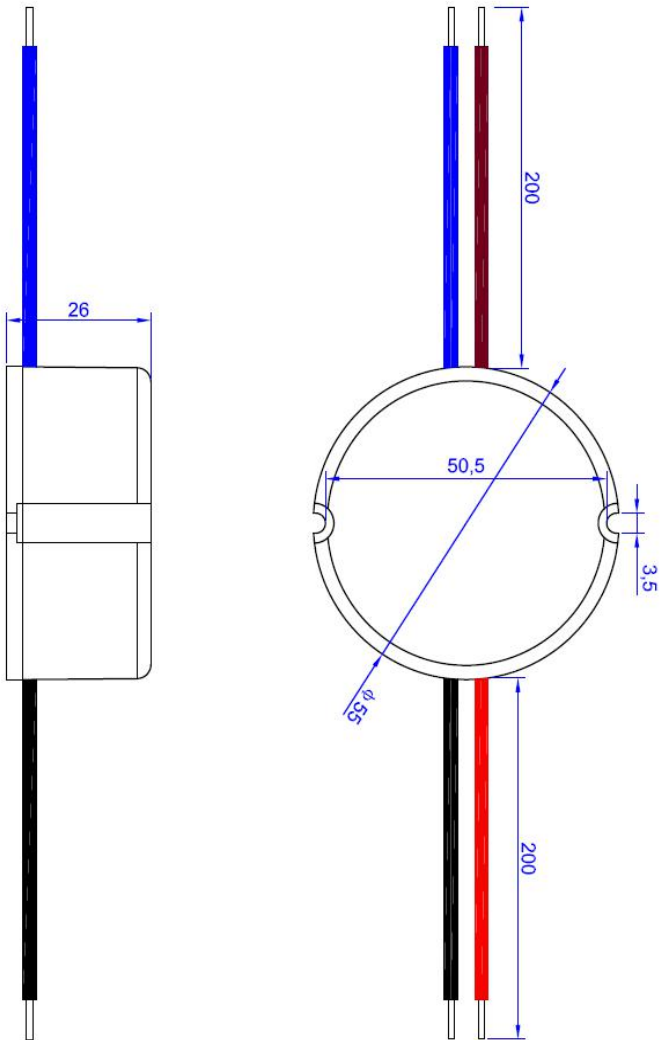
CE SELV RoHS

## SPECIFICATION

MODEL		VUO-015-012N3	VUO-015-024N3		
OUTPUT	DC VOLTAGE	12V	24V		
	RATED CURRENT	1.25A	0.625A		
	CURRENT RANGE	0-1.25A	0-0.625A		
	RATED POWER	15W	15W		
	RIPPLE&NOISE(max)	300mV	300mV		
	VOLTAGE TOLERANCE	±5%	±5%		
	LINE REGULATION	±1%	±1%		
	LOAD REGULATION	±2%	±2%		
INPUT	VOLTAGE RANGE	170-265VAC	170-265VAC		
	FREQUENCY RANGE	47-63Hz	47-63Hz		
	POWER FACTOR(Typ.)	no PFC	no PFC		
	EFFICIENCY(Typ.)	> 85%	> 85%		
	AC CURRENT(Typ.)	0.13A/220VAC	0.13A/220VAC		
PROTECTION	SHORT OUT	Protection type:Hicpe mode,recovers automatically after condition is removed			
	OVER CURRENT	Constant current			
ENVIRONMENT	WORKING TEMP.	-10 ~ +40°C (Refer to output load derating curve)			
	WORKING HUMIDITY	20 ~ 99% RH non-condensing			
	STORAGE TEMP.,HUMIDITY	-40 ~ +80°C,10 ~ 99%RH			
SAFETY&EMC	SAFETY STANDARDS	EN61347-1;EN61347-2-13;SELV			
	WITHSTAND VOLTAGE	I/P-O/P:2KVAC I/P-FG:2KVAC O/P-FG:0.5KVAC			
	EMC Test Standards	EN55015;EN61000-3-2;EN61000-3-3; EN61547;EN61000-4-2,3,4,5,6,8,11;			
NOTE	<p>1.All parameters NOT specially mentoned are measured at 220VAC input,rated load and 25°C of ambient temperature.</p> <p>2.Ripple&amp;noise are measured at 20MHz of bandwidth by using a 12" twisted pair-wire terminated with a 0.1uf&amp;10uf parallel capacitor.</p> <p>3.Tolerance:includes set up tolerance,line regulation and load regulation.</p>				

# LED Power Supply

## Mechanical Specification



## Others

DIMENSION	φ55×26mm(L×W×H)
CARTON QUANTITY	pcs/carton
CARTON SIZE	× × mm
WEIGHT	70g/pcs

## Derating Curve

